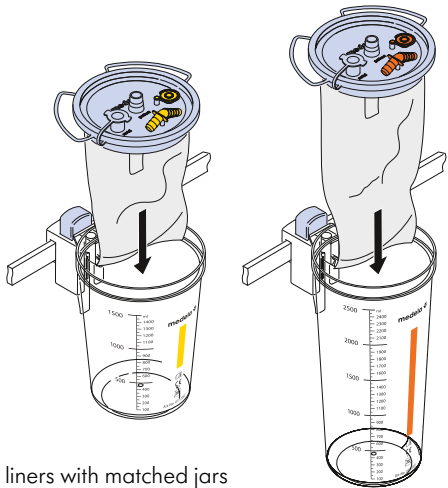


# Quick Card

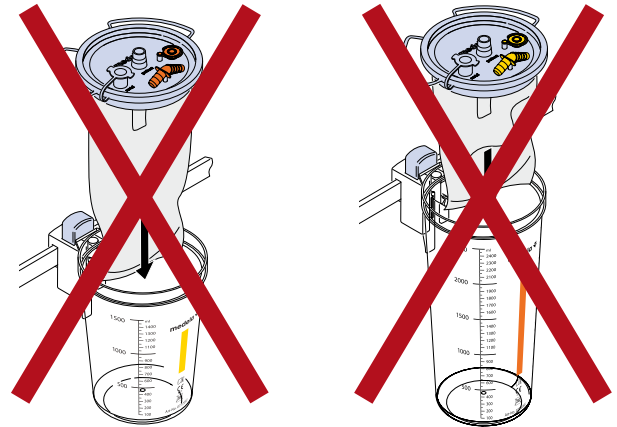


This Quick Card does not replace the instructions for use 200.1783.

## Use of liners



Matching liners with matched jars



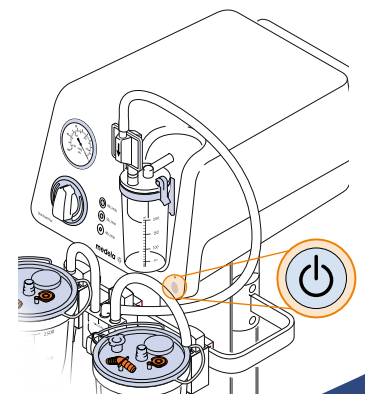
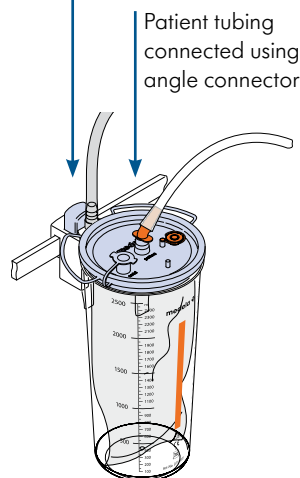
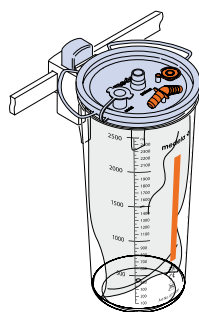
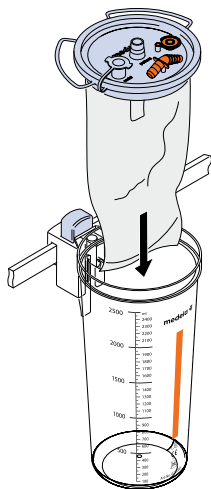
Liner sizes are not matched to the jars!

**Wrong use of product WILL NOT guarantee safety and hygiene.**

1.5 liner	2.5 liner	<del>2.5 liner</del>	<del>1.5 jar</del>
1.5 jar ✓	2.5 jar ✓	<del>1.5 liner</del>	<del>2.5 jar</del>

## Preparation of single liner and jar

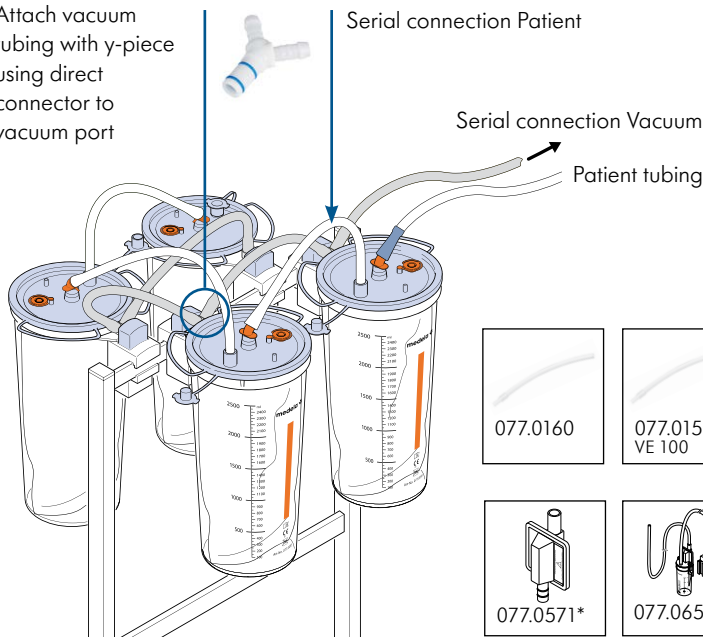
- 1 Place liner into jar
- 2 Press lid down firmly
- 3 Attach vacuum tubing to vacuum port using direct connector
- 4 Switch on pump



## Set up with several liners

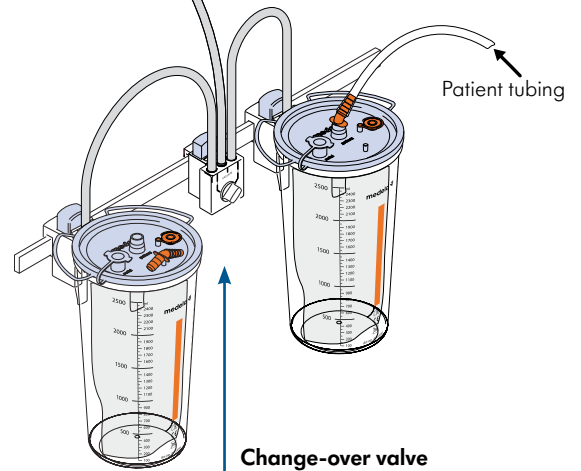
### With Serial Connection

Attach vacuum tubing with y-piece using direct connector to vacuum port



### With Change-Over Valve

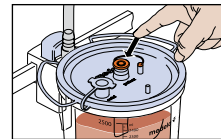
Vacuum connection to pump



**Change-over valve**  
Allows the vacuum to be switched from one canister to the other.

#### NOTE

\* Medela strongly recommends the use of either a safety set or an overflow protection/ bacteria filter to prevent fluids from entering into the suction source.

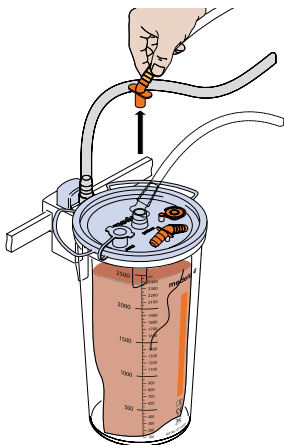


#### NOTE

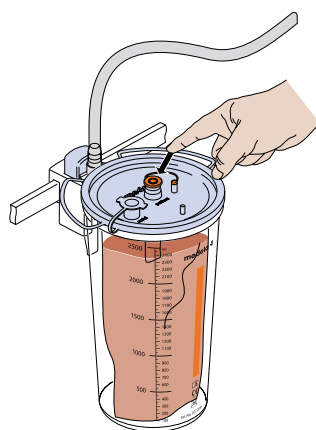
Close patient port before switching from one liner to the next liner.

## Disconnection and liner disposal

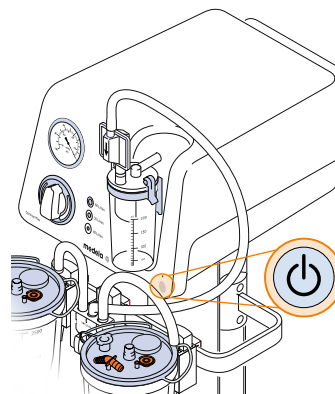
**1** Unplug the patient tubing



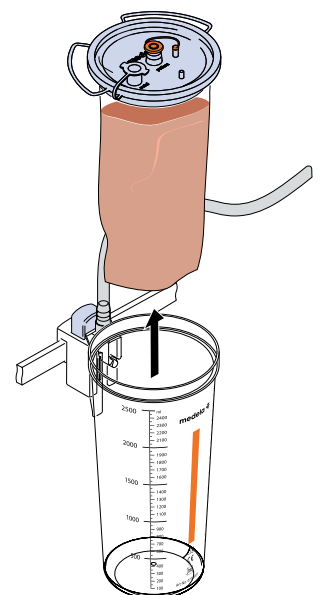
**2** Plug the patient port



**3** Switch off pump and set vacuum to zero



**4** Remove and discard liner



Medela AG  
Lättichstrasse 4b  
6340 Baar, Switzerland  
www.medelahealthcare.com

**International Sales**  
Medela AG  
Lättichstrasse 4b  
6341 Baar  
Switzerland  
Phone +41 41 562 51 51  
Fax +41 41 562 51 00  
ism@medela.ch  
www.medelahealthcare.com

**United Kingdom**  
Medela UK Ltd.  
Huntsman Drive  
Northbank Industrial Park  
Irlam, Manchester M44 5EG  
UK  
Phone +44 161 776 0400  
Fax +44 161 776 0444  
info@medela.co.uk  
www.medelahealthcare.co.uk